



neolab Migge GmbH  
Rischerstr. 7-9  
69123 Heidelberg  
Deutschland  
+49 (0)6221 /  
8442-44  
<https://www.neolab.de>  
e

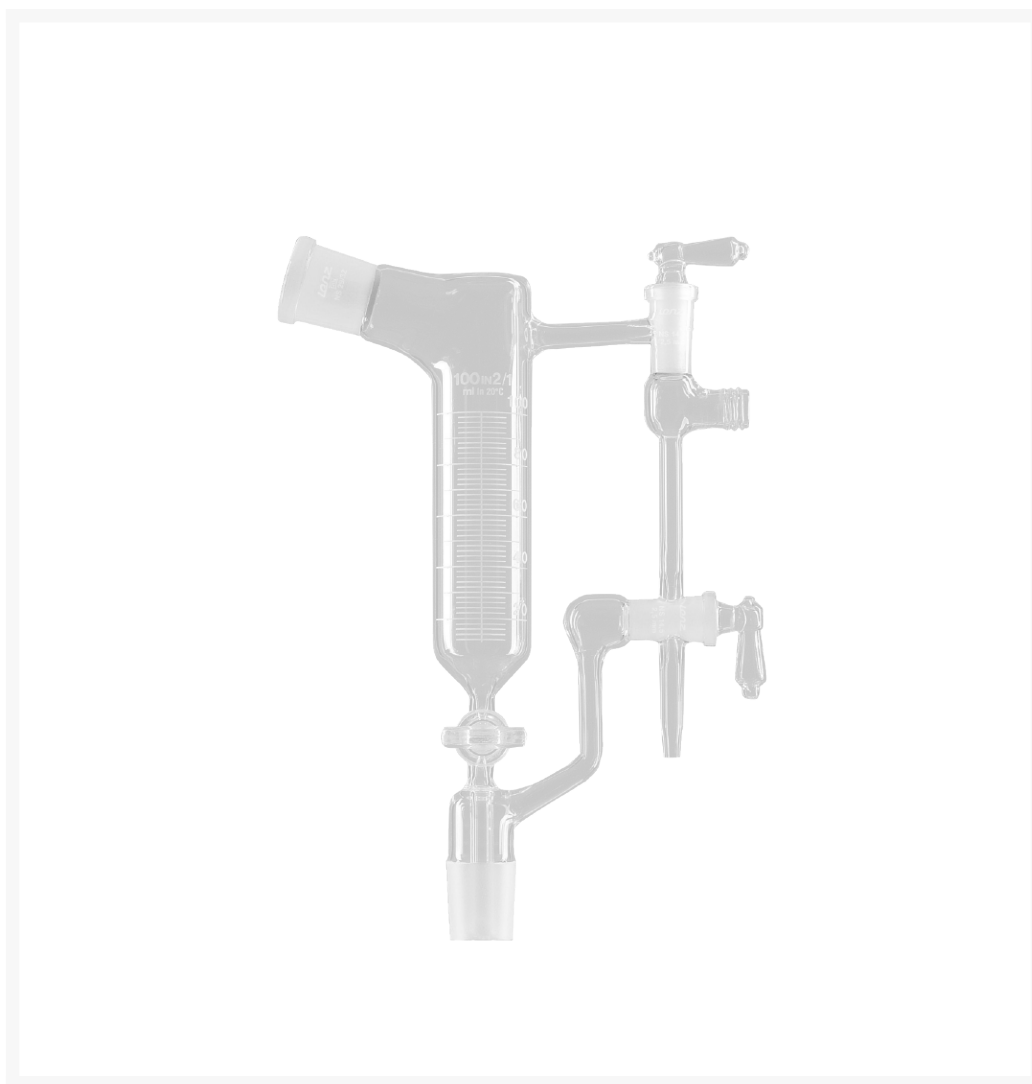
Umsatzsteuer-  
Identifikationsnummer  
:  
DE 143 450 657



**Lenz still according to Anschütz-Thiele, slanted,  
flask capacity 25 ml, sleeve/core NS 14/23,  
suction port GL 18, with solid glass plug**

**€254.89  
plus VAT &  
Shipping**

## Product Images



## Description

---

**Distilling masters** according to Anschütz-Thiele; inclined fore-stroke; graduated.

With NS sleeve and NS core, suction port with GL 18 thread, NS stopcock with solid glass plug.

Made of DURAN® tube.

## Additional Information

---

No.	LZ-1268
Manufacturer (Brand)	Lenz
old neoLab article no.	B-3271
EAN	4058072310073
Transport temperature	Room temperature
autoclavable at 121°C	Yes
Color	transparent (clear)
Material	Borosilicate glass
Volume	25 ml
Form	curved
Cooler features	with standard ground joint
Material	Borosilicate glass
Connection General / Tempering jacket / Cooler / Vacuum	GL 18
Quantity pistons	1
Standard ground sleeve	14/23
Standard ground core	14/23

