



neolab Migge GmbH
Rischerstr. 7-9
69123 Heidelberg
Deutschland
+49 (0)6221 /
8442-44
<https://www.neolab.de>
e

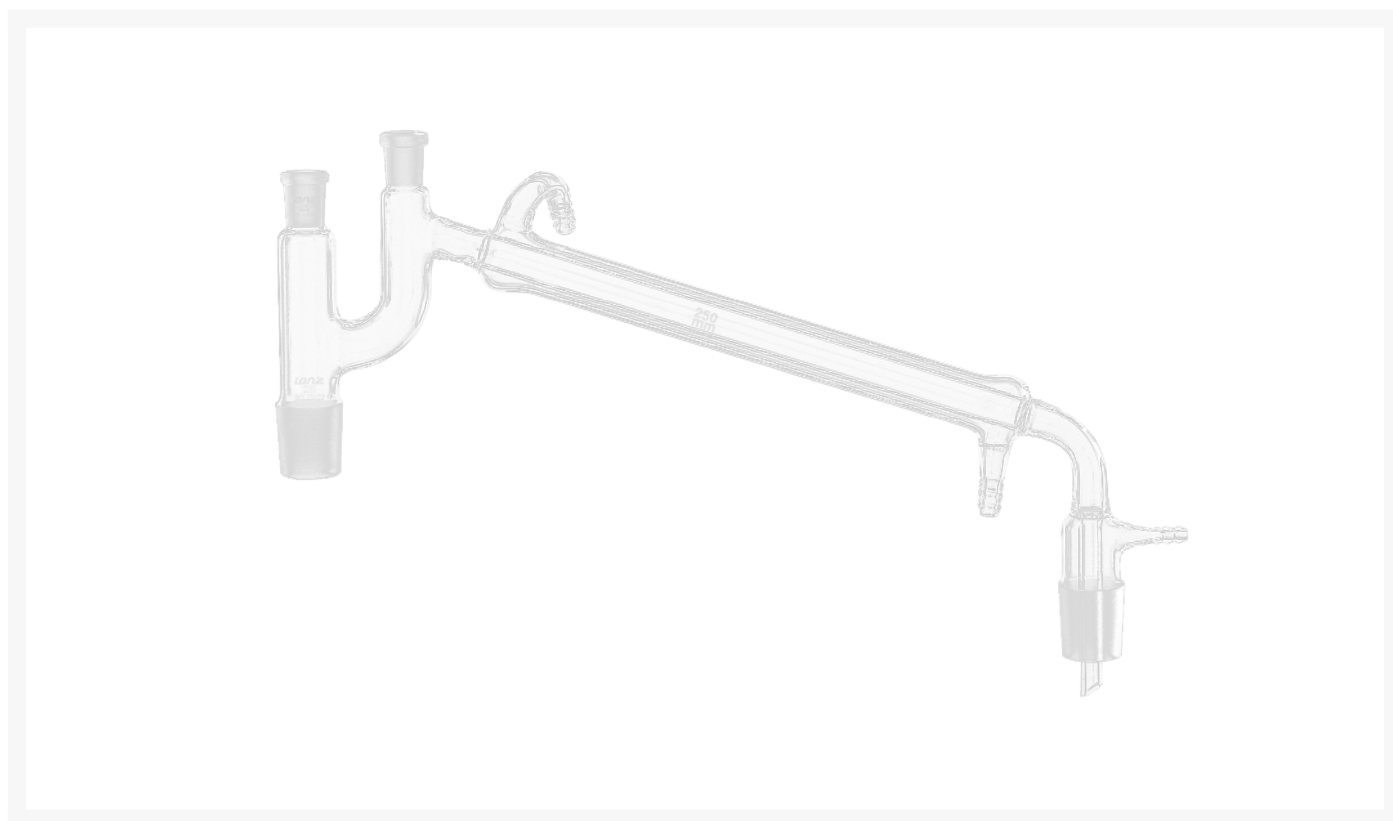
Umsatzsteuer-
Identifikationsnummer
:
DE 143 450 657



Lenz distillation bridge acc. to Claisen, with vacuum advance, with Liebig condenser, cooling water and vacuum connection olive, cores NS 14/23, length 250 mm, cooling surface 100 cm²

**€114.12
plus VAT &
Shipping**

Product Images



Description

Distilling bridges according to DIN 12594, with Liebig cooler and attachment according to Claisen, cooling water and vacuum connection with olive, with two ground joint sleeves NS 14/23 for distillation thermometers with an installation length of 55 mm.

Made of DURAN® tube.

Additional Information

No.	LZ-0988
Manufacturer (Brand)	Lenz
old neoLab article no.	B-2988
EAN	4058072307288
Transport temperature	Room temperature
autoclavable at 121°C	Yes
Color	transparent (clear)
Material	Borosilicate glass
Length	250 mm
Cooler features	with standard ground joint
Material	Borosilicate glass
Connection General / Tempering jacket / Cooler / Vacuum	Olive
Standard ground core	14/23
Type cooler	Liebig cooler

