



neolab Migge GmbH  
Rischerstr. 7-9  
69123 Heidelberg  
Deutschland  
+49 (0)6221 /  
8442-44  
<https://www.neolab.de>  
e

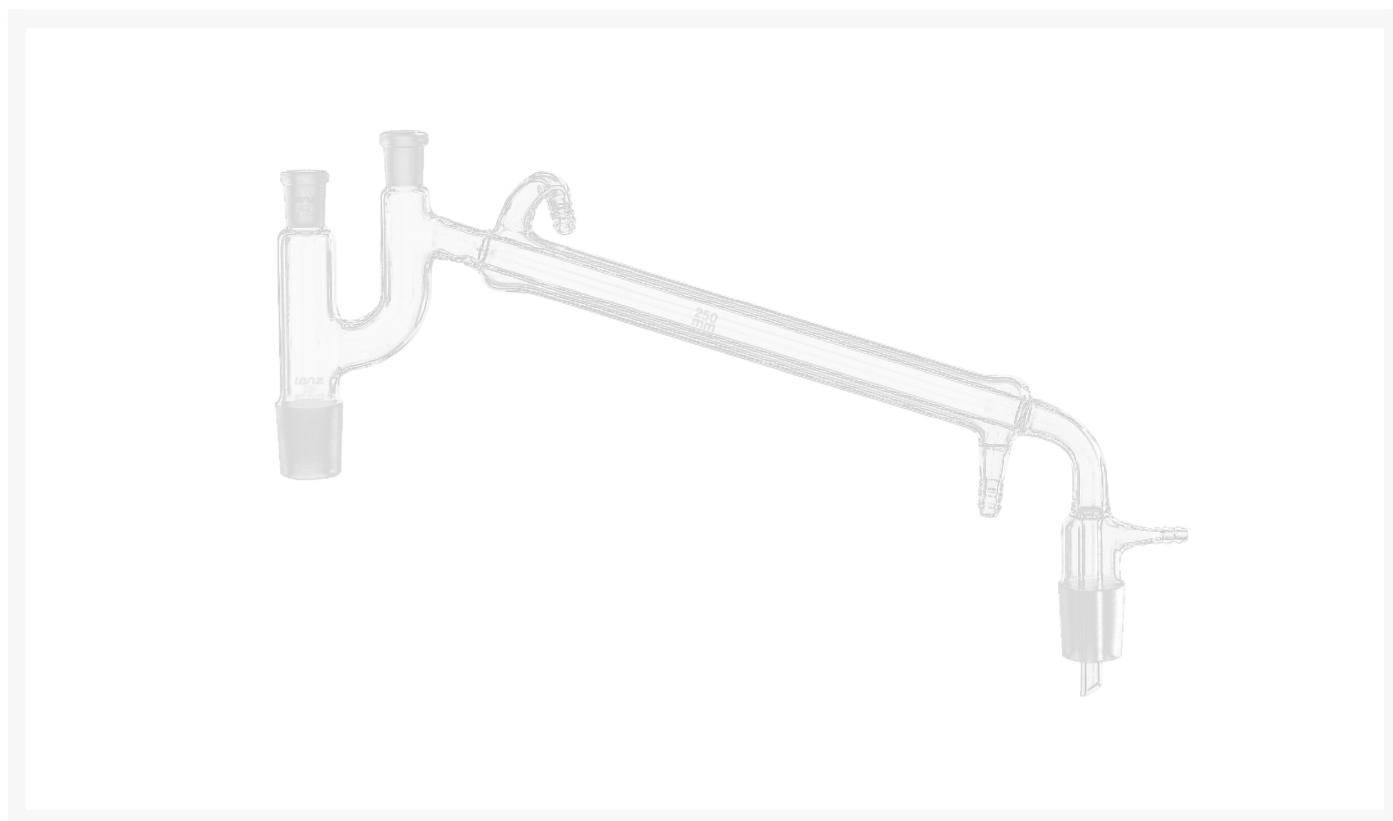
Umsatzsteuer-  
Identifikationsnummer  
:  
DE 143 450 657



**Lenz distillation bridge acc. to Claisen, with vacuum advance, with Liebig condenser, cooling water and vacuum connection olive, cores NS 14/23, length 160 mm, cooling surface 60 cm<sup>2</sup>**

**€112.13  
plus VAT &  
Shipping**

## Product Images



## Description

---

**Distilling bridges** according to DIN 12594, with Liebig cooler and attachment according to Claisen, cooling water and vacuum connection with olive, with two ground joint sleeves NS 14/23 for distillation thermometers with an installation length of 55 mm.

Made of DURAN® tube.

## Additional Information

---

No.	LZ-0986
Manufacturer (Brand)	Lenz
old neoLab article no.	B-2986
EAN	4058072307264
Transport temperature	Room temperature
autoclavable at 121°C	Yes
Color	transparent (clear)
Material	Borosilicate glass
Length	160 mm
Cooler features	with standard ground joint
Material	Borosilicate glass
Connection General / Tempering jacket / Cooler / Vacuum	Olive
Standard ground core	14/23
Type cooler	Liebig cooler

