



neolab Migge GmbH
Rischerstr. 7-9
69123 Heidelberg
Deutschland
+49 (0)6221 /
8442-44
<https://www.neolab.de>
e

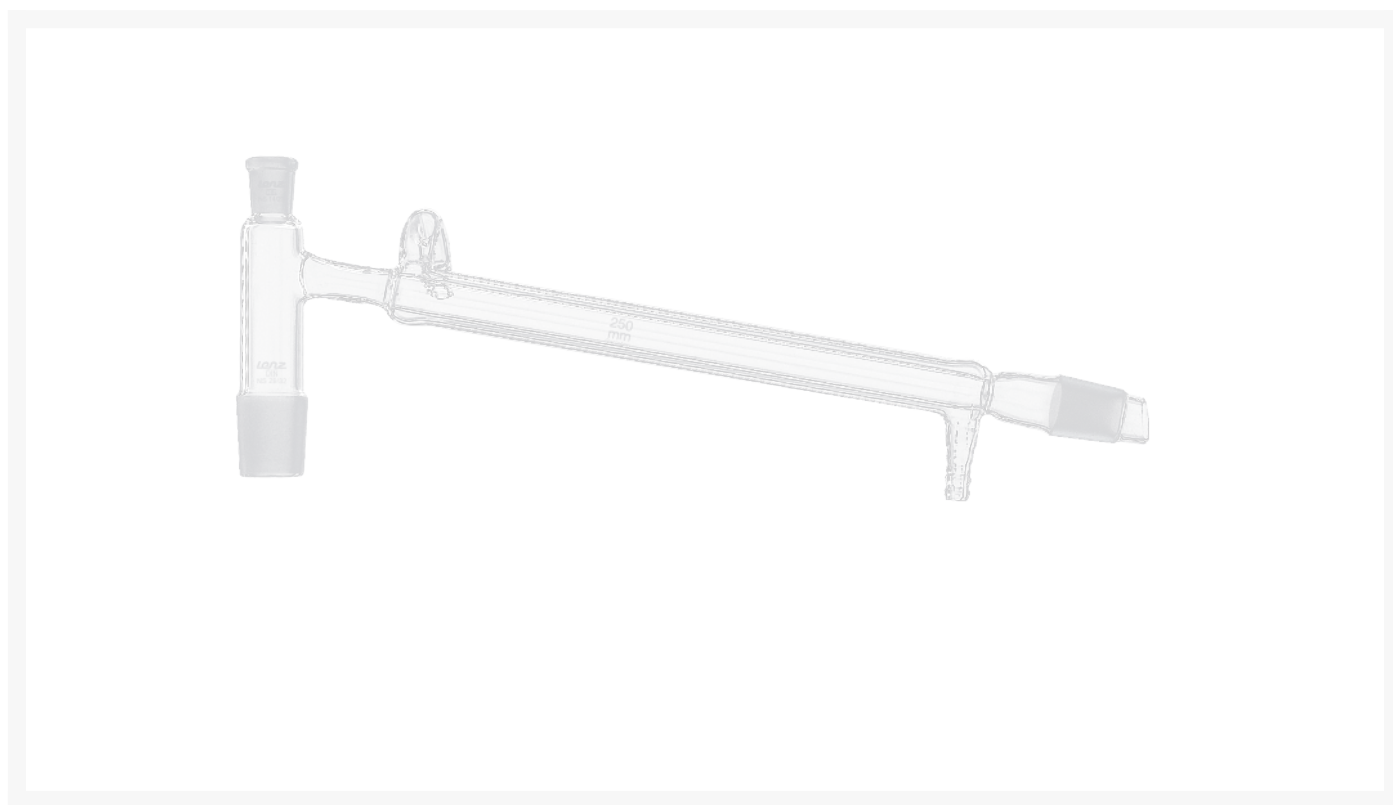
Umsatzsteuer-
Identifikationsnummer
:
DE 143 450 657



Lenz distillation bridge with Liebig condenser and olive, cores NS 29/32, length 250 mm, cooling surface 130 cm²

€95.04
plus VAT &
Shipping

Product Images



Description

Distilling bridges with Liebig cooler. Drain pipe with NS core, cooling water connection with olive, with ground joint sleeve NS 14/23 for distillation thermometer with an installation length of 55 mm.
Made of DURAN® tube.

Additional Information

No.	LZ-0965
Manufacturer (Brand)	Lenz
old neoLab article no.	B-2965
EAN	4058072307059
Transport temperature	Room temperature
autoclavable at 121°C	Yes
Color	transparent (clear)
Material	Borosilicate glass
Form	T-shaped bent
Length	250 mm
Cooler features	with standard ground joint
Material	Borosilicate glass
Standard ground core	29/32
Type cooler	Liebig cooler

