



neolab Migge GmbH  
Rischerstr. 7-9  
69123 Heidelberg  
Deutschland  
+49 (0)6221 /  
8442-44  
<https://www.neolab.de>  
e

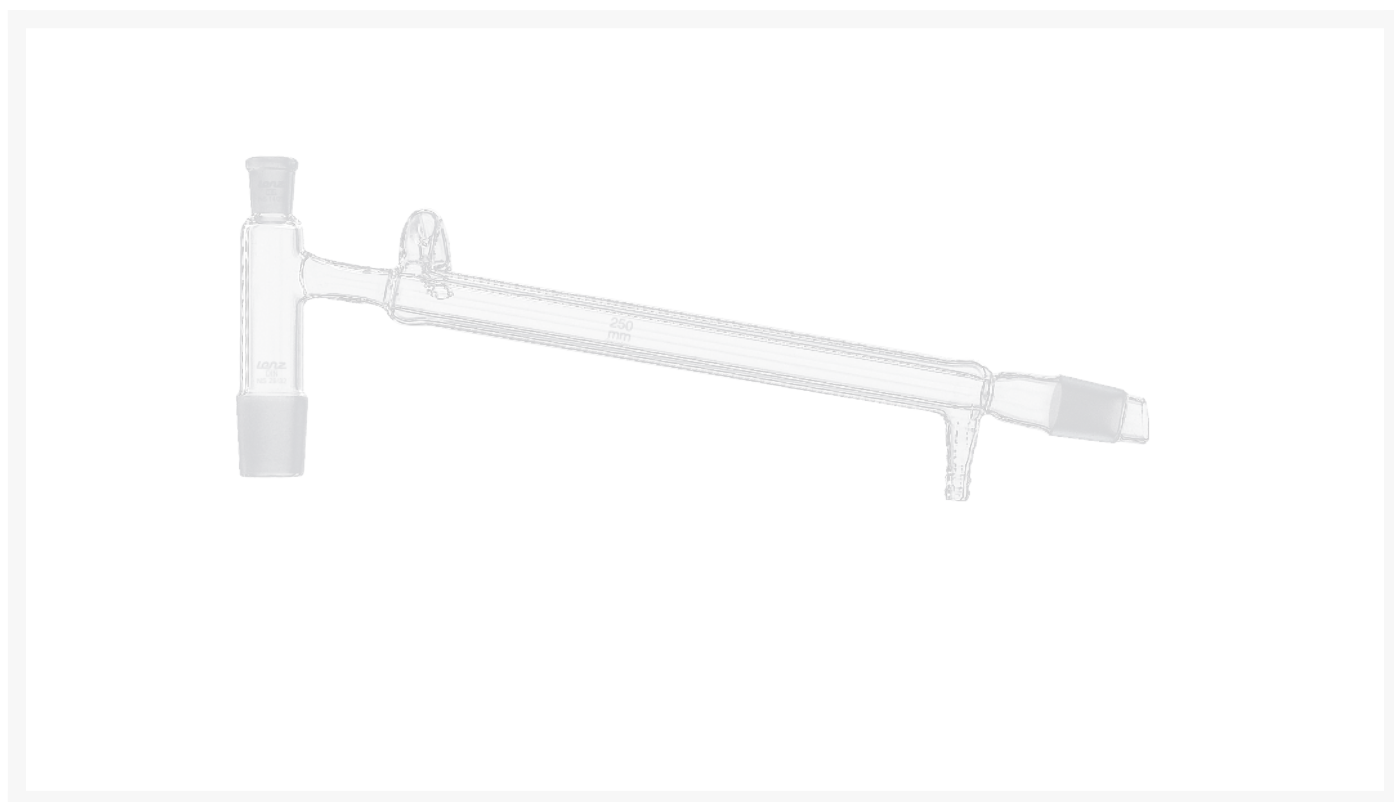
Umsatzsteuer-  
Identifikationsnummer  
:  
DE 143 450 657



## Lenz distillation bridge with Liebig cooler and olive, cores NS 14/23, length 160 mm, cooling surface 60<sup>2</sup>

**€83.69**  
**plus VAT &**  
**Shipping**

### Product Images



## Description

---

**Distilling bridges with Liebig cooler.** Drain pipe with NS core, cooling water connection with olive, with ground joint sleeve NS 14/23 for distillation thermometer with an installation length of 55 mm.  
Made of DURAN® tube.

## Additional Information

---

No.	LZ-0962
Manufacturer (Brand)	Lenz
old neoLab article no.	B-2962
EAN	4058072307028
Transport temperature	Room temperature
autoclavable at 121°C	Yes
Color	transparent (clear)
Material	Borosilicate glass
Form	T-shaped bent
Length	160 mm
Cooler features	with standard ground joint
Material	Borosilicate glass
Standard ground core	14/23
Type cooler	Liebig cooler

