



neolab Migge GmbH
Rischerstr. 7-9
69123 Heidelberg
Deutschland
+49 (0)6221 /
8442-44
<https://www.neolab.de>
e

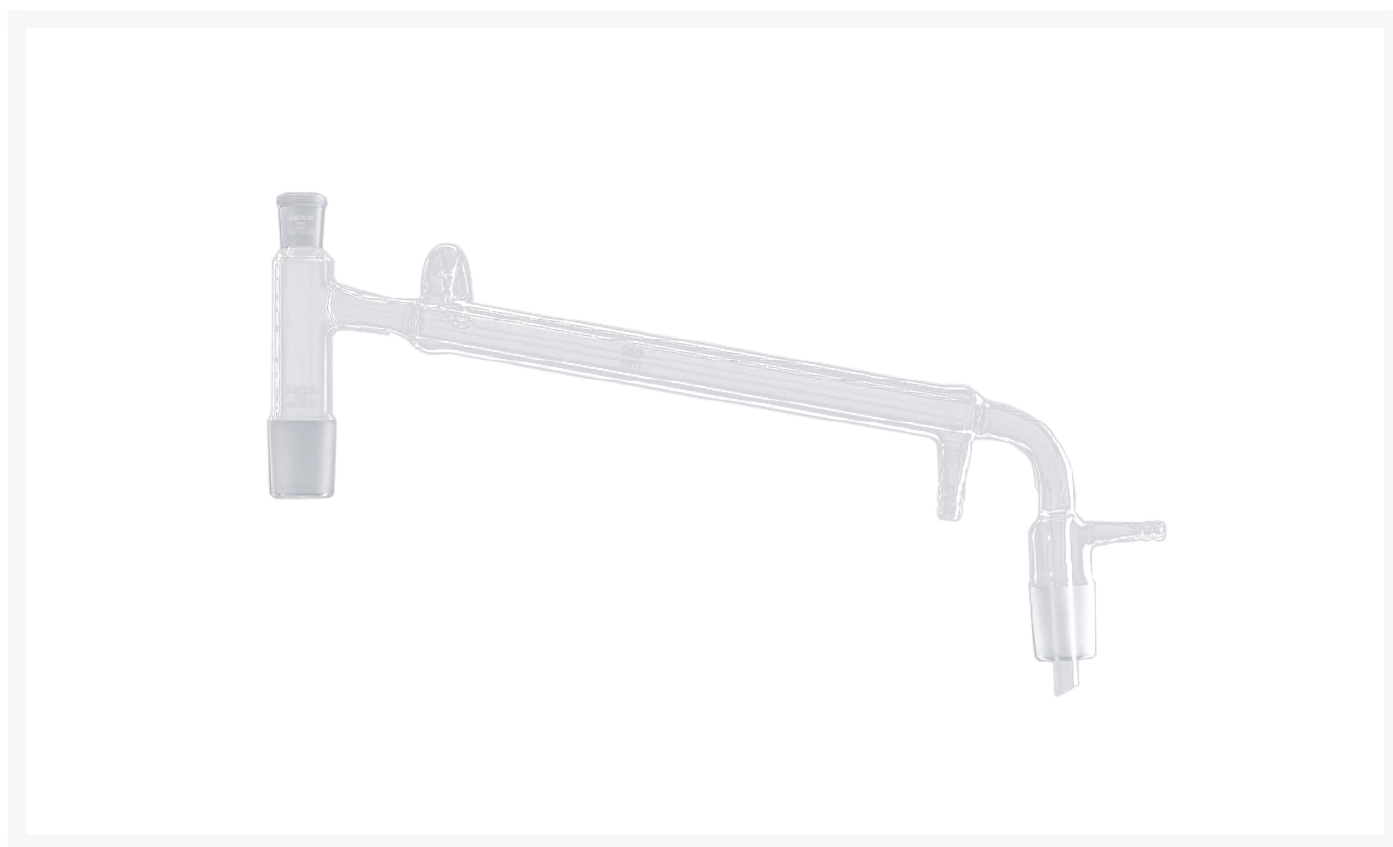
Umsatzsteuer-
Identifikationsnummer
:
DE 143 450 657



**Lenz distillation bridge with Liebig condenser,
vacuum advance and olive, cores NS 14/23,
length 250 mm, cooling surface 100 cm²**

**€103.01
plus VAT &
Shipping**

Product Images



Description

Distilling bridges with Liebig cooler, drain pipe with NS core, cooling water and vacuum connection with olive, with ground joint sleeve NS 14/23 for distillation thermometers with an installation length of 55 mm.
Made of DURAN® tube.

Additional Information

No.	LZ-0972
Manufacturer (Brand)	Lenz
old neoLab article no.	B-2972
EAN	4058072307127
Transport temperature	Room temperature
autoclavable at 121°C	Yes
Color	transparent (clear)
Material	Borosilicate glass
Length	250 mm
Cooler features	with standard ground joint
Material	Borosilicate glass
Connection General / Tempering jacket / Cooler / Vacuum	Olive
Standard ground core	14/23
Type cooler	Liebig cooler

