



neolab Migge GmbH
Rischerstr. 7-9
69123 Heidelberg
Deutschland
+49 (0)6221 /
8442-44
<https://www.neolab.de>
e

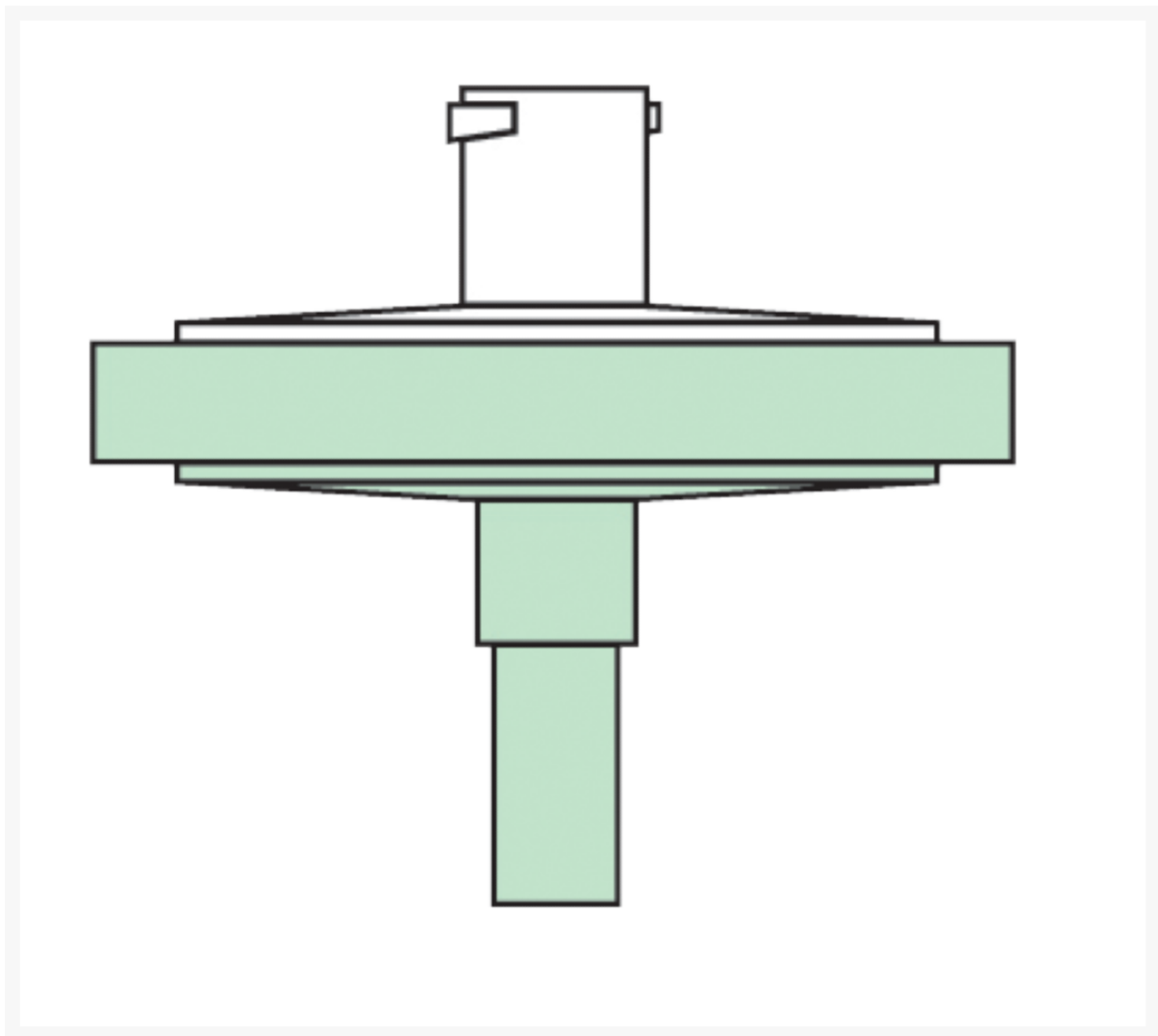
Umsatzsteuer-
Identifikationsnummer
:
DE 143 450 657



neolab® HPLC syringe filter light green coded, 0.45 µm, PA, 25 mm Ø, 100 pcs/pack

€155.00
plus VAT &
Shipping

Product Images



Description

Effective filter area 3.7 cm²

Operating pressure 500 kPA (=5 bar/ 72 psi)

Characteristics

Nylon (PA): hydrophilic, very wet and dry resistant

Main applications

PA: aqueous and organic media (pharmaceutical applications)

PU: 100pcs/pack

Additional Information

No.	7-8705
Manufacturer (Brand)	neoLab
EAN	4058072042660
Transport temperature	Room temperature
Color	light green
sterile	No
suitable for	Syringes
DM outside	25 mm
TBST MAX	45 °C
Filter properties	with special chemical resistance suitable for HPLC
MAX operating pressure	5 bar abs.
Area diaphragm	3.8 cm ²
Fluid behavior	hydrophilic
Material housing	Polypropylene (PP)
Material membrane	Polyamide 6.6 (PA 6.6. Nylon®)
Pore size	0.45 µm
Dead volume	0.1 ml
Type Connection Output	Luer cone male
Type Connection Input	Luer lock female
Type filter	Syringe pre-filter
for medium	Aqueous solutions Organic solutions

