



neolab Migge GmbH
Rischerstr. 7-9
69123 Heidelberg
Deutschland
+49 (0)6221 /
8442-44
<https://www.neolab.de>
e

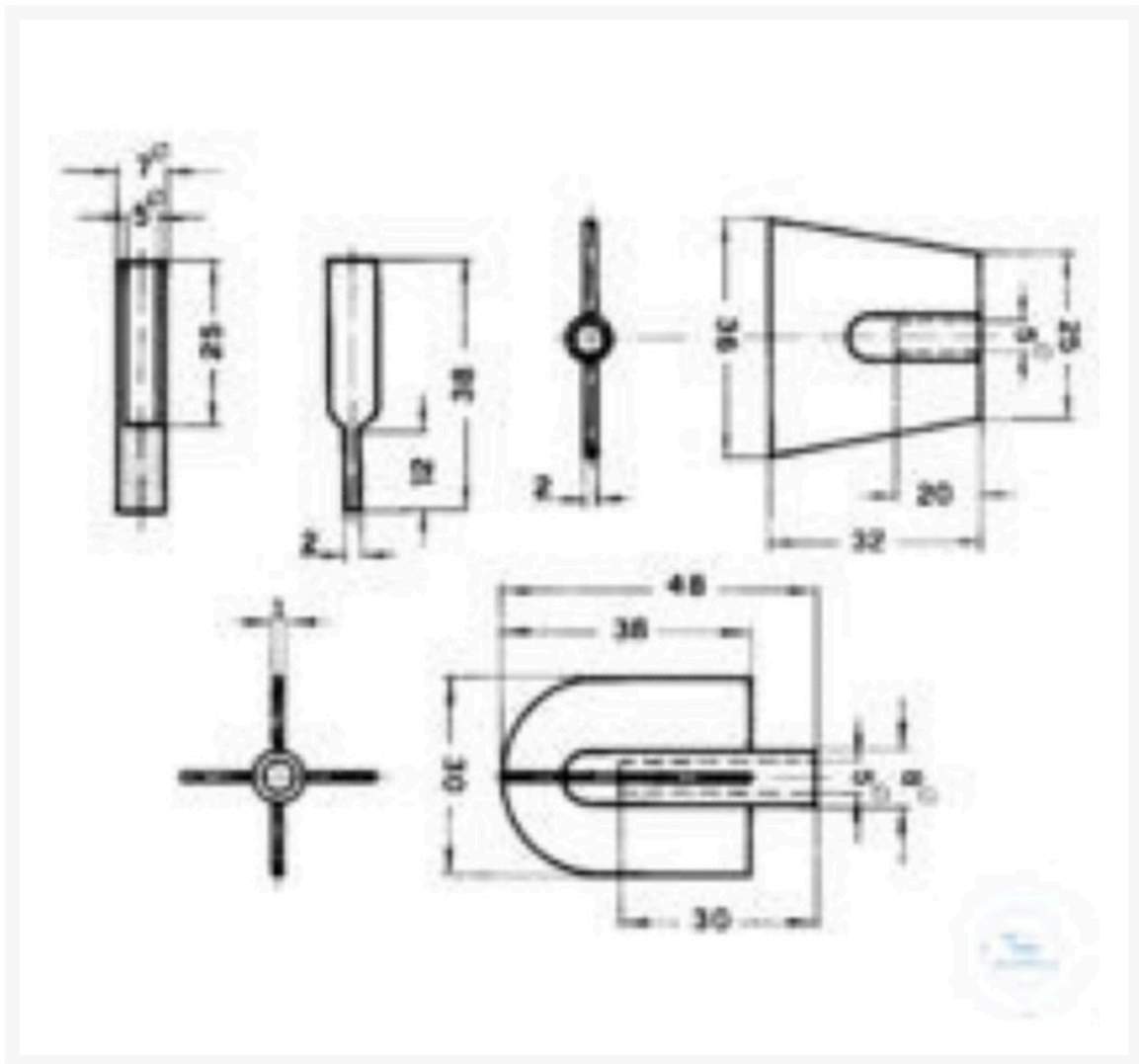
Umsatzsteuer-
Identifikationsnummer
:
DE 143 450 657



IDL Wiper Rod Shape Red

€1.40
plus VAT &
Shipping

Product Images



Description

Wiper rod shape red

Additional Information

No.	DT-0573
Manufacturer (Brand)	neoLab
VGKL number	270075002
Transport temperature	Room temperature

