



neolab Migge GmbH  
Rischerstr. 7-9  
69123 Heidelberg  
Deutschland  
+49 (0)6221 /  
8442-44  
<https://www.neolab.de>  
e

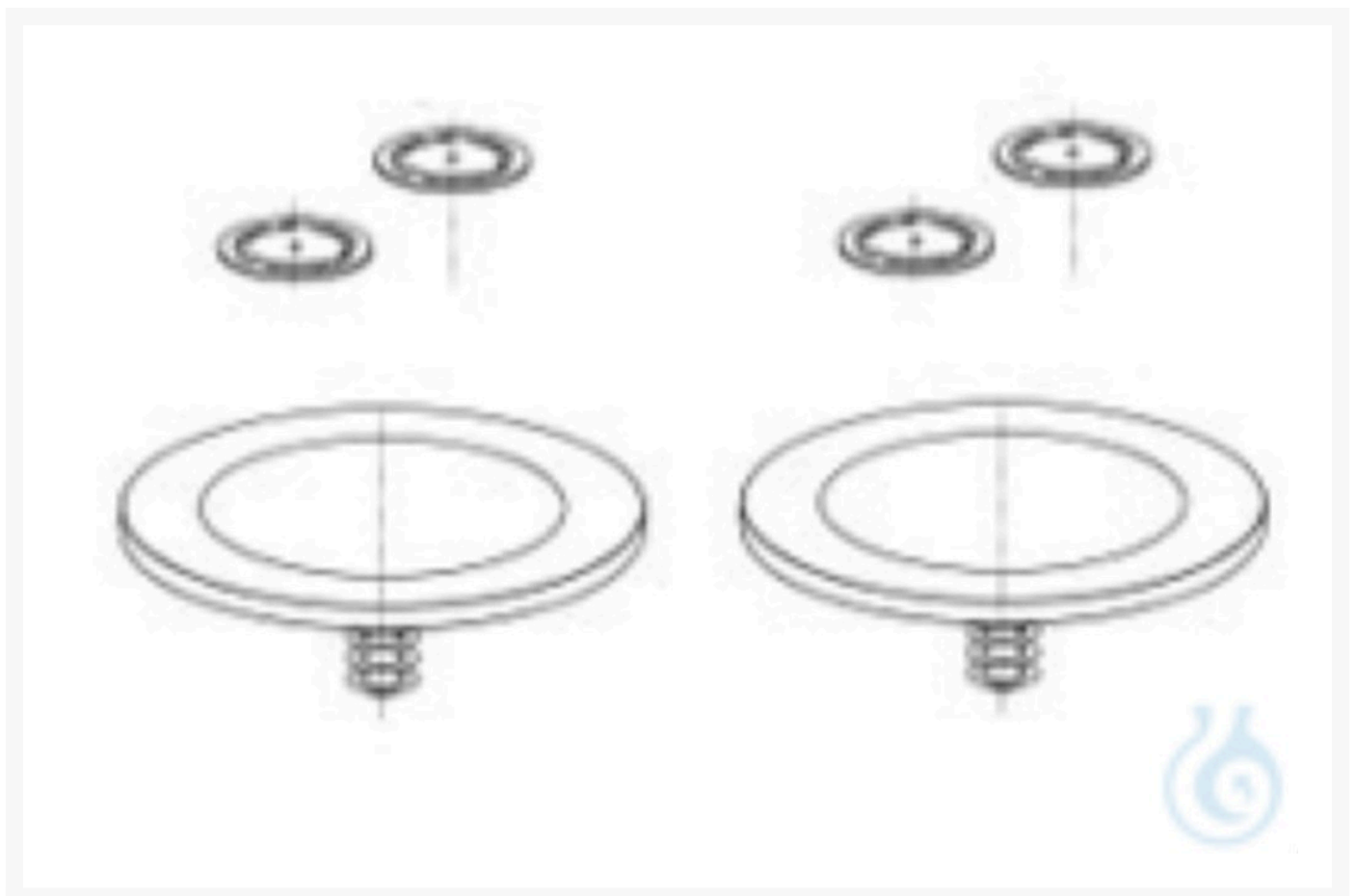
Umsatzsteuer-  
Identifikationsnummer  
:  
DE 143 450 657



**KNF® spare parts set for N 816.3/.1.2 KT.18,  
including diaphragm, valves and gasket**

**€188.80  
plus VAT &  
Shipping**

## Product Images



## Description

---

The spare parts set for N 816.3 KT.18 and N 816.1.2 KT.18 includes all elastomer parts in the pump head that come into contact with the medium, such as the diaphragm, the valves and the seal. It is designed for the replacement of wearing parts on a pump. It is recommended to replace all parts included in the set.

## Additional Information

---

No.	KF-0150
Manufacturer (Brand)	KNF
Transport temperature	Room temperature

