



neolab Migge GmbH
Rischerstr. 7-9
69123 Heidelberg
Deutschland
+49 (0)6221 /
8442-44
<https://www.neolab.de>
e

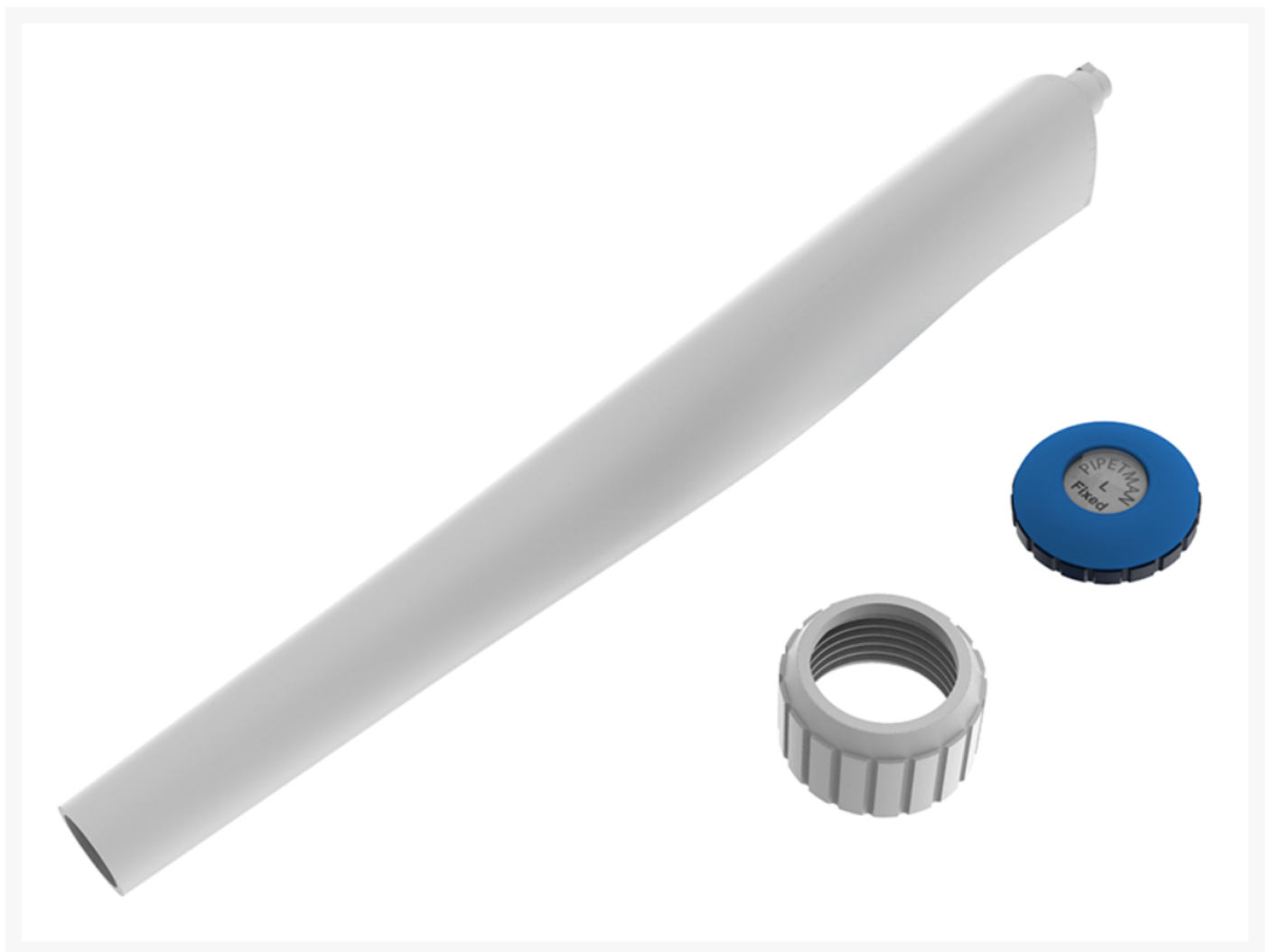
Umsatzsteuer-
Identifikationsnummer
:
DE 143 450 657



Gilson® SERVICE KIT, Level2, F300L/F400L/F500L/F1000L

€20.70
plus VAT &
Shipping

Product Images



Description

SERVICE KIT,2ND F300L/F400L/F500L/F1000L, tip ejector, knurled nut, push button

Additional Information

No.	CF-0589
Manufacturer (Brand)	Gilson
Transport temperature	Room temperature

