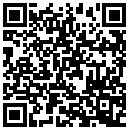




neolab Migge GmbH
Rischerstr. 7-9
69123 Heidelberg
Deutschland
+49 (0)6221 /
8442-44
<https://www.neolab.de>
e

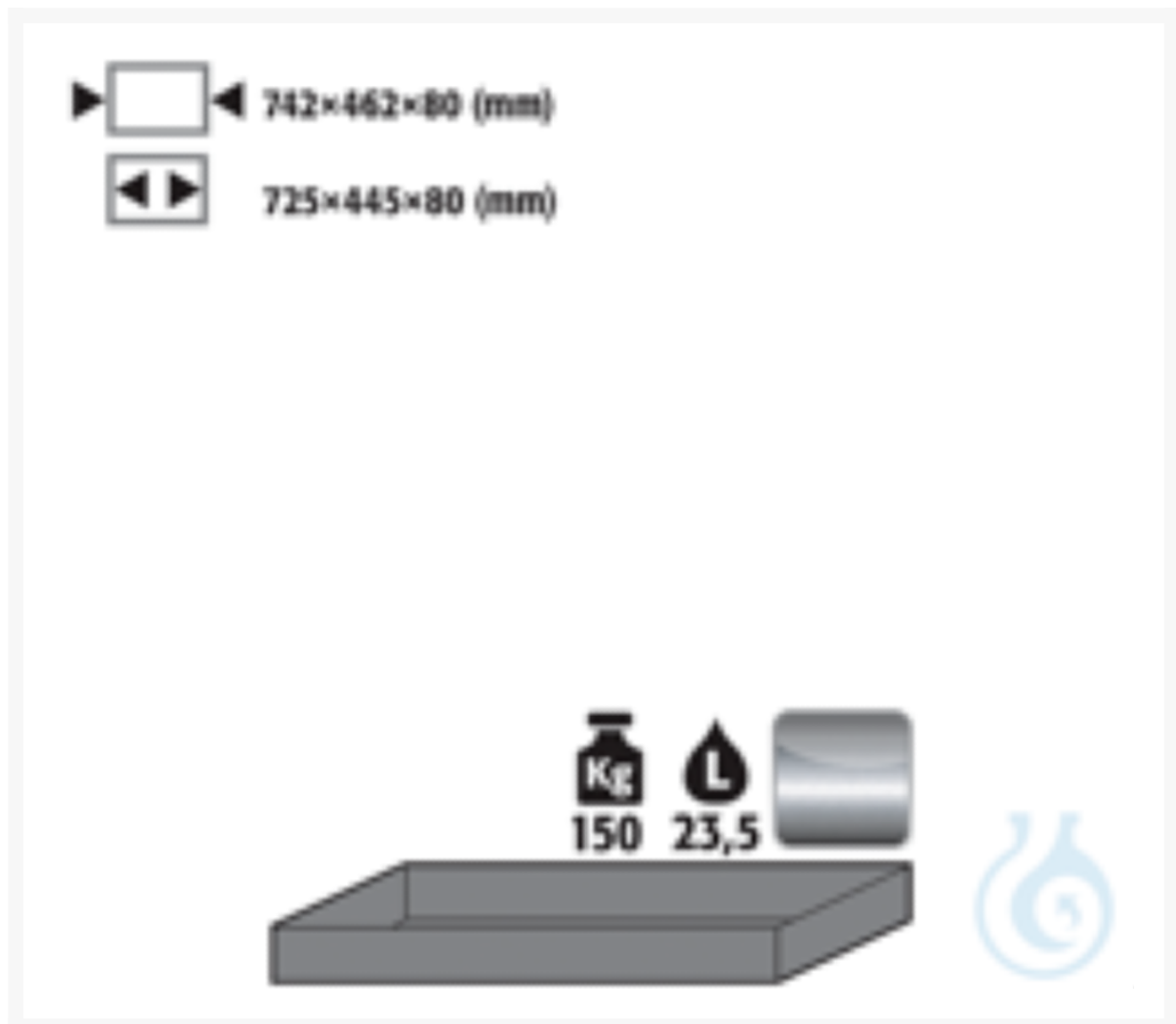
Umsatzsteuer-
Identifikationsnummer
:
DE 143 450 657



Asecos® WB 150kg 22L ES 1.4301 raw 900mm Q90 S90

€192.00
plus VAT &
Shipping

Product Images



Description

Tub bottom 150kg 23l ES 1.4301 raw Q90 S90 900mm Attention: Shipping with main article, for separate shipping freight charges according to expenditure Delivery method: ex works Gründau

Additional Information

No.	AS-1647
Manufacturer (Brand)	Asecos
Transport temperature	Room temperature

