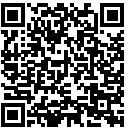




neolab Migge GmbH
Rischerstr. 7-9
69123 Heidelberg
Deutschland
+49 (0)6221 /
8442-44
<https://www.neolab.de>
e

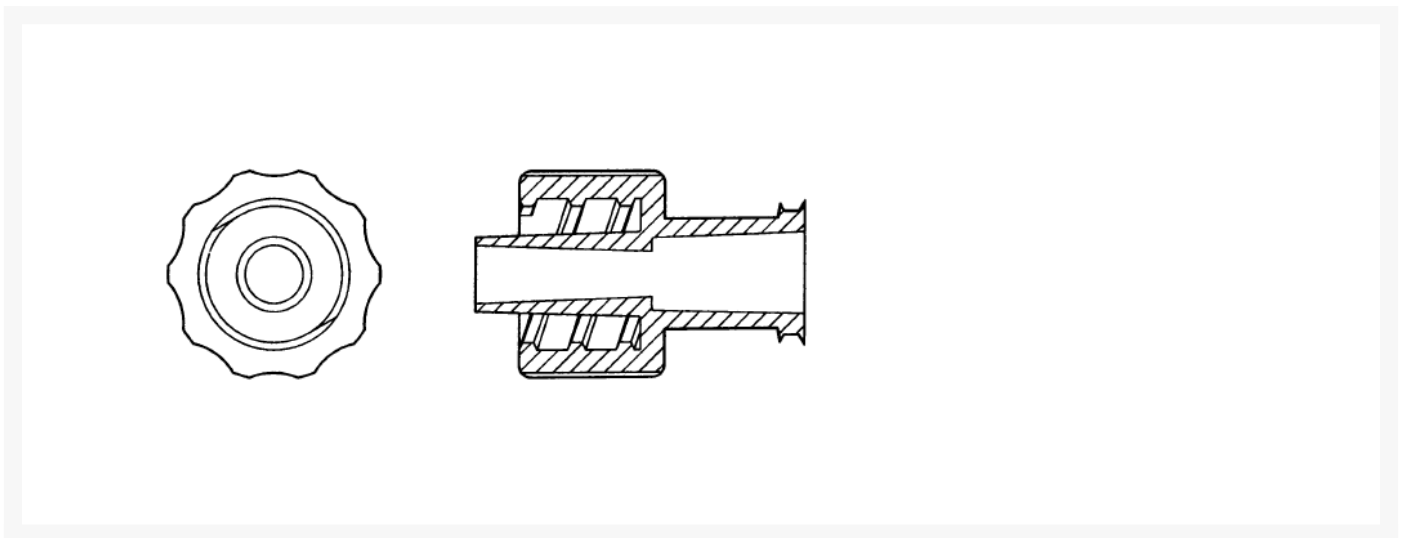
Umsatzsteuer-
Identifikationsnummer
:
DE 143 450 657



neolab® Coupling LL male/female, PP, 10 pcs./pack

€26.10
plus VAT &
Shipping

Product Images



Description

Luer- Lock connector made of natural colored PP, slightly transparent, **autoclavable**. Excellent quality with constant inner diameter, ensures uniform flow rates and tight connection.

In bag of 10 pcs

Additional Information

No.	2-1885
Manufacturer (Brand)	neoLab
EAN	4058072058623
Transport temperature	Room temperature
autoclavable at 121°C	Yes
Color	transparent (milky)
Material	Polypropylene (PP)
Gender Luer cone 1	female
Gender Luer lock	male
Type Luer connector/closure	Luer lock connector

