



neolab Migge GmbH
Rischerstr. 7-9
69123 Heidelberg
Deutschland
+49 (0)6221 /
8442-44
<https://www.neolab.de>
e

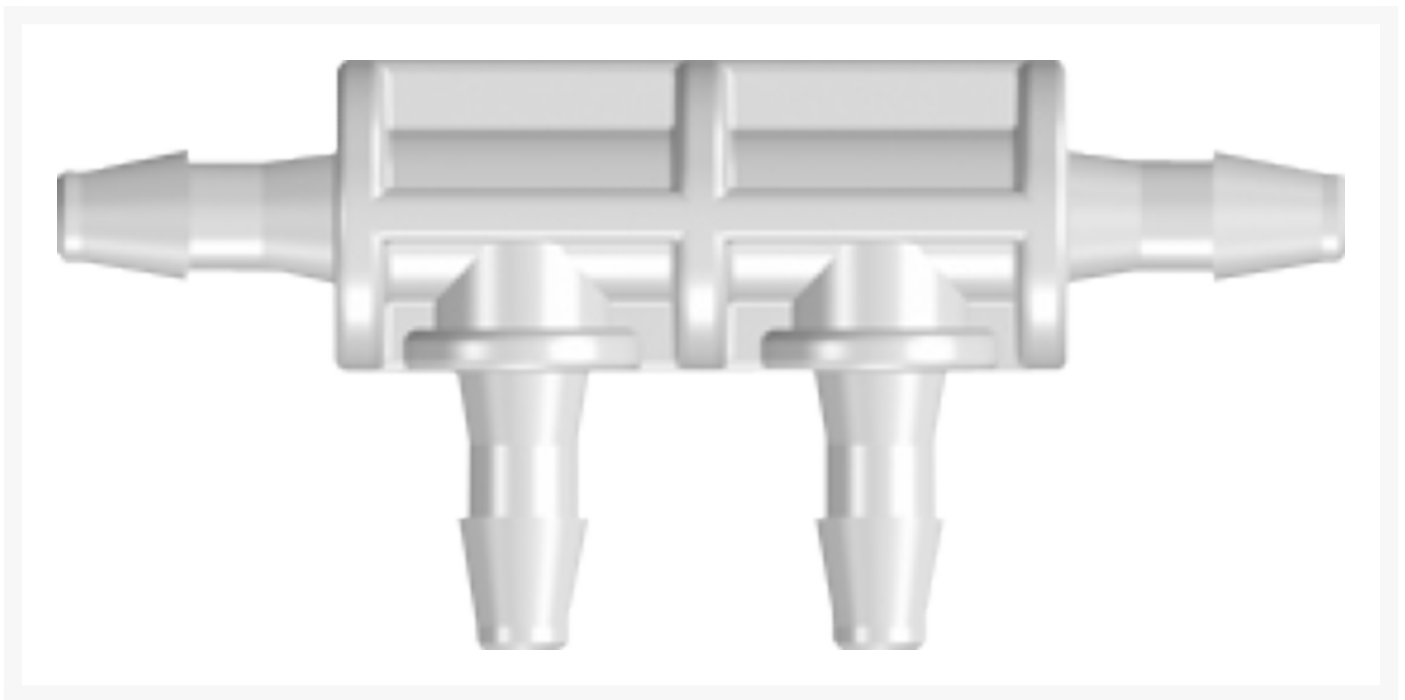
Umsatzsteuer-
Identifikationsnummer
:
DE 143 450 657



neolab® Double angle flow connector, f. tube inner Ø 1.5 mm, 10 pcs./pack

€25.50
plus VAT &
Shipping

Product Images



Description

Double angle flow connector made of polypropylene, autoclavable up to 121°C.

The cone has a special shape so that hoses cannot slip down.

Also suitable for high-pressure applications.

In bag of 10 pcs

Additional Information

No.	2-0992
Manufacturer (Brand)	neoLab
EAN	4058072048846
autoclavable at 121°C	Yes
Color	White
Material	Polypropylene (PP)
Form	Double angle
Connector properties	Miniature version
for DM hose inside 1	1.5 mm
Symmetry	for same hose DM
Type hose connector	Double angle flow connector

