



neolab Migge GmbH
Rischerstr. 7-9
69123 Heidelberg
Deutschland
+49 (0)6221 /
8442-44
<https://www.neolab.de>
e

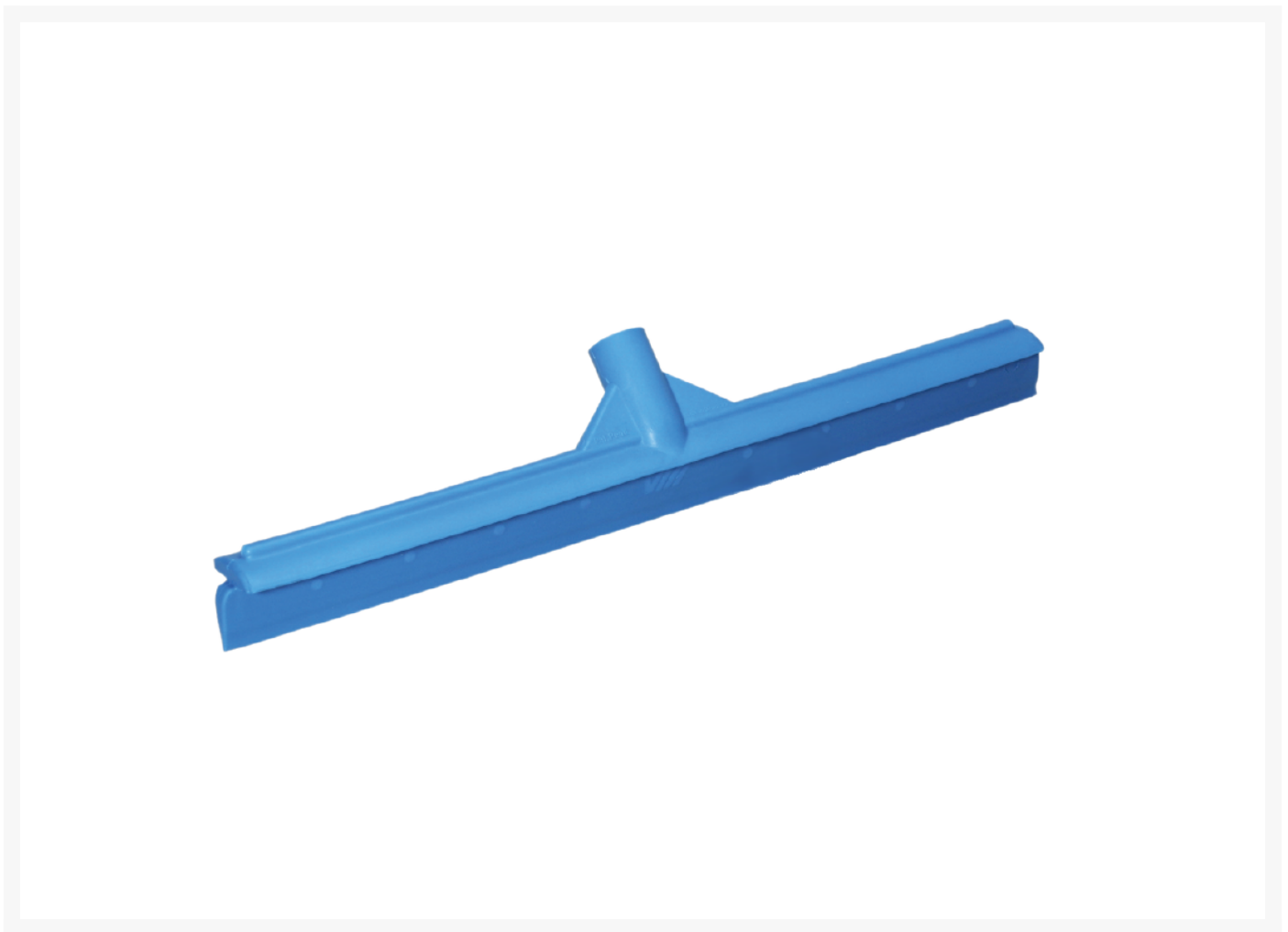
Umsatzsteuer-
Identifikationsnummer
:
DE 143 450 657



neolab® hygienic bottom slide, 500 x 40 x 95, PP, blue

€40.10
plus VAT &
Shipping

Product Images



Description

Blue hygienic bottom slide without holes and cavities where bacteria could reside.

Material: reinforced PP and rubber in full cast construction.

Autoclavable up to 121°C, temperature resistant down to -30°C.

Max. Drying temperature: +120°C

Additional Information

No.	2-7612
Manufacturer (Brand)	neoLab
EAN	4058072009809
Transport temperature	Room temperature
autoclavable at 121°C	Yes
Color	blue
Material	Polypropylene (PP) Ethylene Propylene Diene Rubber (EPDM)
Wide	40 mm
Height	95 mm
Length	500 mm
Depth	500 mm

