



neolab Migge GmbH  
Rischerstr. 7-9  
69123 Heidelberg  
Deutschland  
+49 (0)6221 /  
8442-44  
<https://www.neolab.de>  
e

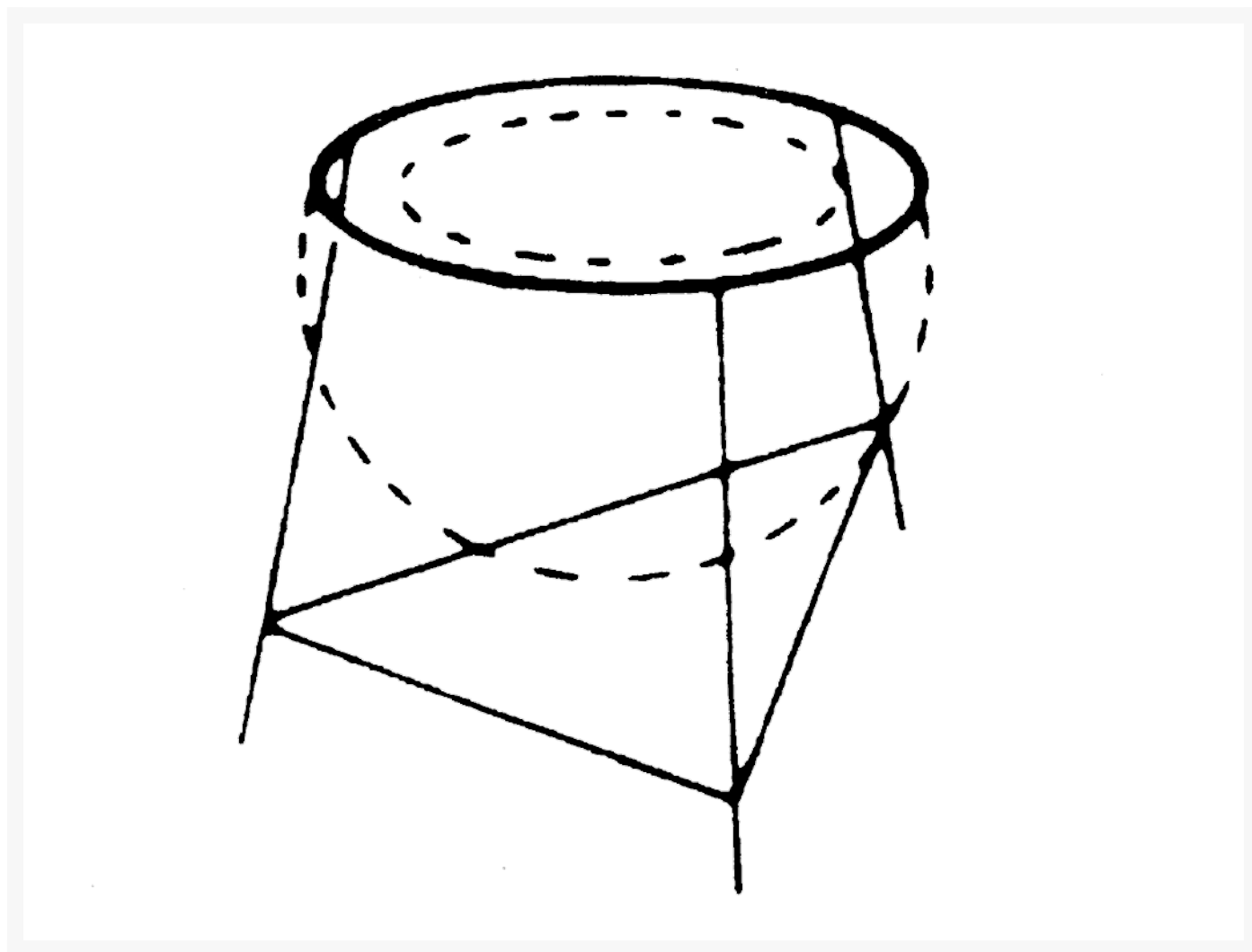
Umsatzsteuer-  
Identifikationsnummer  
:  
DE 143 450 657



## SAF Wärmetechnik metal tripod for heating mantle 5000 ml

**€151.00**  
**plus VAT &**  
**Shipping**

### Product Images



## Description

---

To improve **stability** for Pilz®<sup>heating</sup> mantles.  
For all sizes except 50 ml.

Accessories for Pilz® Standard Heating Mantles (Order No. 3-2226 ff.)

## Additional Information

---

No.	WF-0224
Manufacturer (Brand)	SAF Wärmetechnik
old neoLab article no.	2-3956
EAN	4058072428129
Transport temperature	Room temperature
Color	White
Material	Steelepoxyc coated
for part no.	121293

