



neolab Migge GmbH  
Rischerstr. 7-9  
69123 Heidelberg  
Deutschland  
+49 (0)6221 /  
8442-44  
<https://www.neolab.de>  
e

Umsatzsteuer-  
Identifikationsnummer  
:  
DE 143 450 657



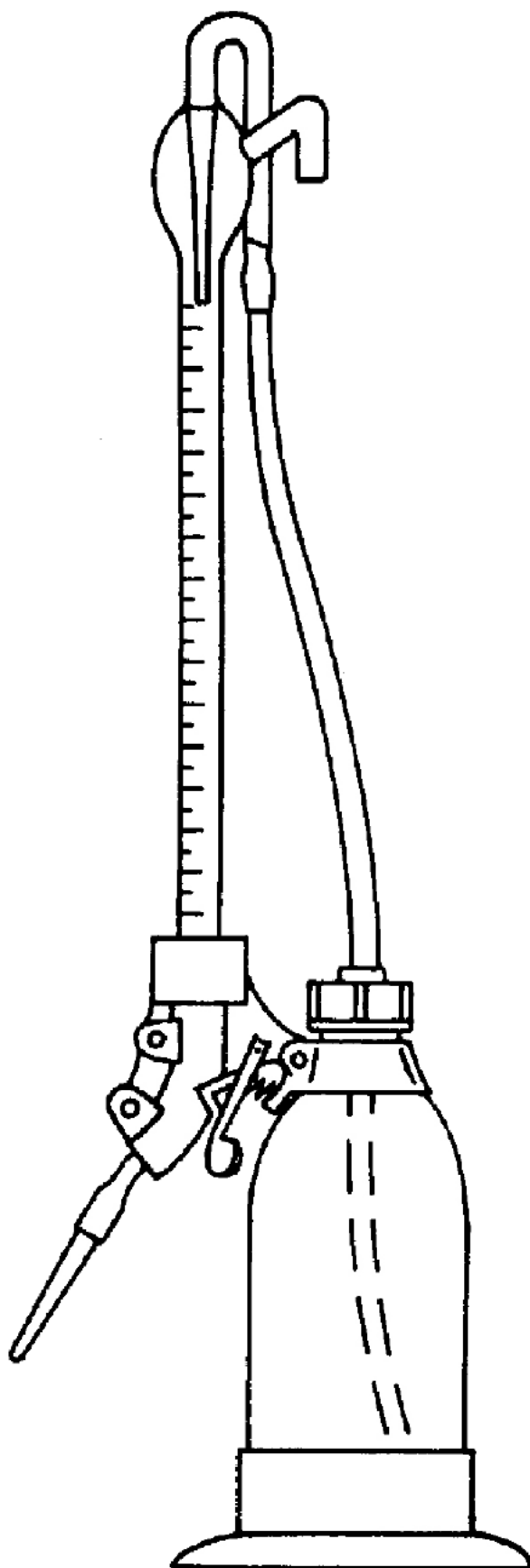
## Strong shilling burettes, 25 ml, 1/10, 1000 ml

**€59.84** As low

as

**€56.93**

**plus VAT &  
Shipping**



## Description

---

with PE bottle and foot, Schellbach strip

## Additional Information

---

No.	SE-0399
Manufacturer (Brand)	Starke
old neoLab article no.	E-1562
EAN	4058072365523
Transport temperature	Room temperature
Volume	25 ml
Height	610 mm
Color graduation	blue
Division	0.1 ml
for bottles with volume	1000 ml
Spare part	NM-0360
Scope of delivery	Titration burette with Schellbach strips graduated blue, PE bottle, stand, tube
Material bottle	Low-density polyethylene (LDPE)

