



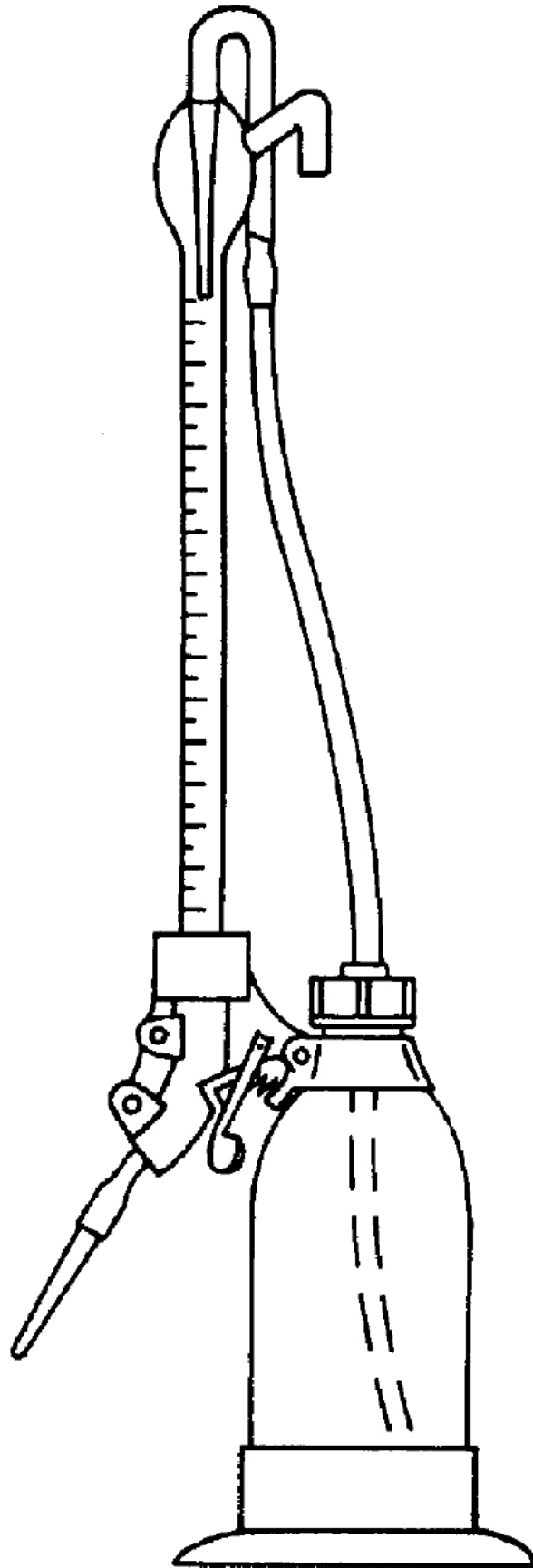
neolab Migge GmbH  
Rischerstr. 7-9  
69123 Heidelberg  
Deutschland  
+49 (0)6221 /  
8442-44  
<https://www.neolab.de>  
e

Umsatzsteuer-  
Identifikationsnummer  
:  
DE 143 450 657



## Strong shilling burettes, 15 ml, 1/10, 500 ml

**€55.57** As low  
as  
**€53.59**  
plus VAT &  
Shipping



## Description

---

with PE bottle and foot, Schellbach strip

## Additional Information

---

No.	SE-0398
Manufacturer (Brand)	Starke
old neoLab article no.	E-1561
EAN	4058072065614
Transport temperature	Room temperature
Volume	15 ml
Height	420 mm
Spare part	NM-0360
Color graduation	blue
Scope of delivery	Titration burette with Schellbach strips graduated blue, PE bottle, stand, tube
Material bottle	Low-density polyethylene (LDPE)
Division	0.1 ml
for bottles with volume	500 ml

