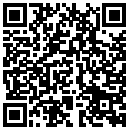




neolab Migge GmbH
Rischerstr. 7-9
69123 Heidelberg
Deutschland
+49 (0)6221 /
8442-44
<https://www.neolab.de>
e

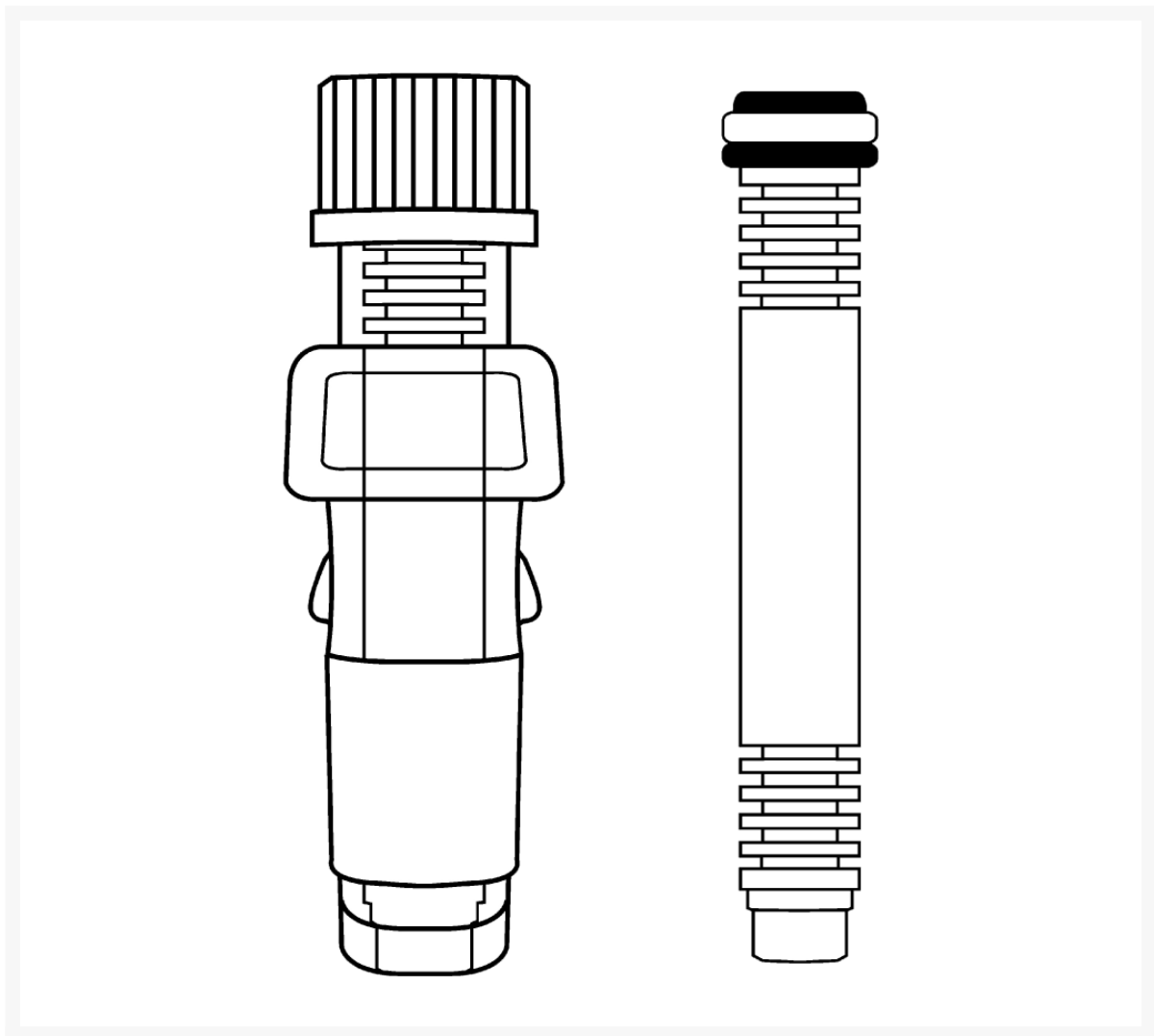
Umsatzsteuer-
Identifikationsnummer
:
DE 143 450 657



neolab® stirrer cap GGM NS 29, KPG 11

€195.20
plus VAT &
Shipping

Product Images



Description

- with adjustable and replaceable PTFE bearing sleeve
- long service life
- double seat of the bearing sleeve ground on the NS

Additional Information

No.	E-5009
Manufacturer (Brand)	neoLab
EAN	4058072013493
Transport temperature	Room temperature
autoclavable at 121°C	Yes
Color	transparent (clear)
Stirring tools properties	with precision grinding (KPG)
Thread plug body	GL 25
Standard ground	29/32
Standard ground core	29/32
for DM rod	10 mm

