



neolab Migge GmbH
Rischerstr. 7-9
69123 Heidelberg
Deutschland
+49 (0)6221 /
8442-44
<https://www.neolab.de>
e

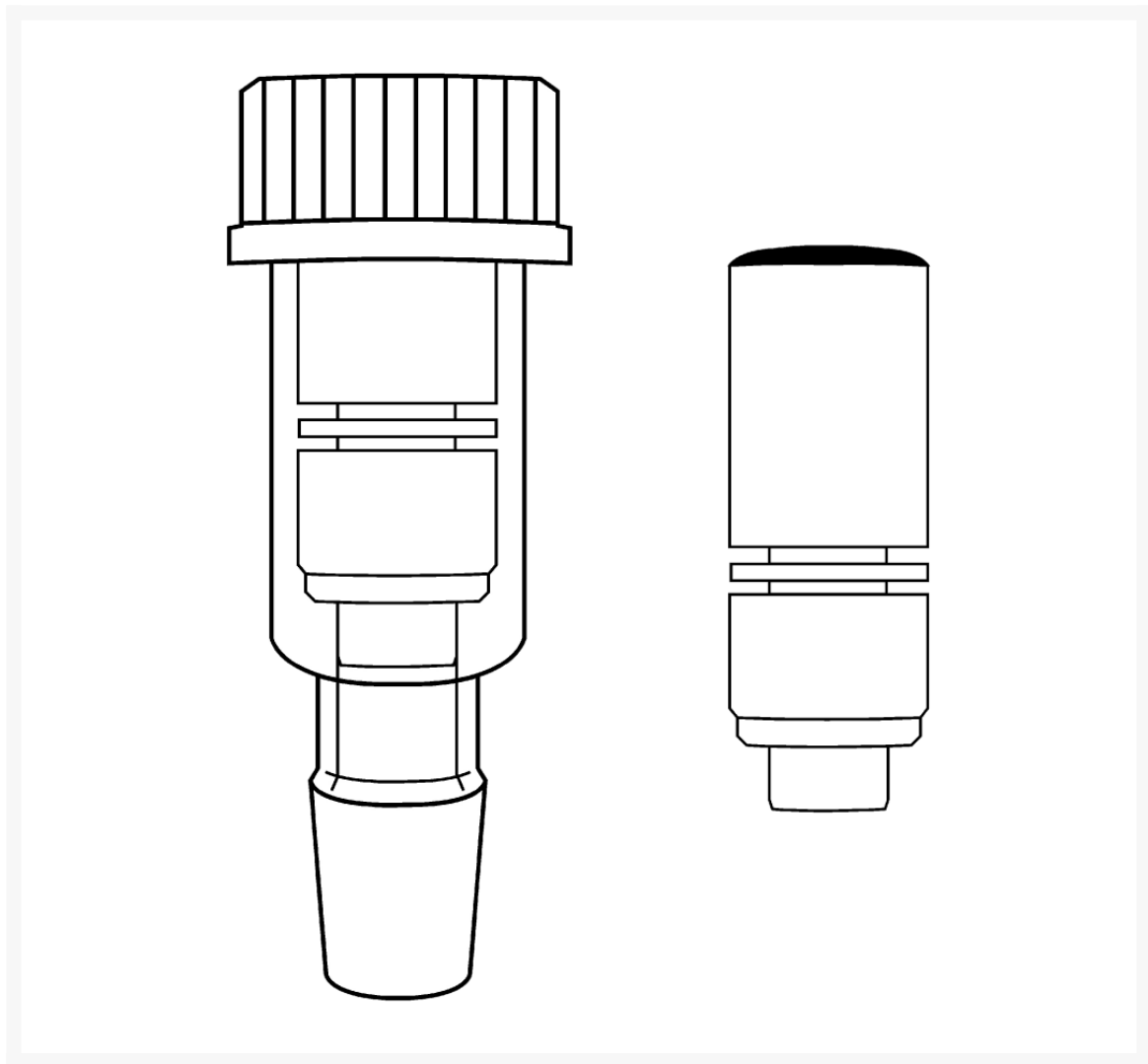
Umsatzsteuer-
Identifikationsnummer
:
DE 143 450 657



neolab® Combi-Vac stirrer cap, NS 29, KPG 10

€239.00
plus VAT &
Shipping

Product Images



Description

- Stirring under vacuum according to GGM
- at 1000 min^{-1} in 4 hours 4 mbar pressure increase
- no loss of power due to direct drive
- centered running at high speeds
- long service life

Additional Information

No.	E-5015
Manufacturer (Brand)	neoLab
EAN	4058072013547
Transport temperature	Room temperature
autoclavable at 121°C	Yes
Color	transparent (clear)
Stirring tools properties	with precision grinding (KPG)
Standard ground	29/32
Standard ground core	29/32
Thread plug body	GL 32
for DM rod	10 mm

