



neolab Migge GmbH  
Rischerstr. 7-9  
69123 Heidelberg  
Deutschland  
+49 (0)6221 /  
8442-44  
<https://www.neolab.de>  
e

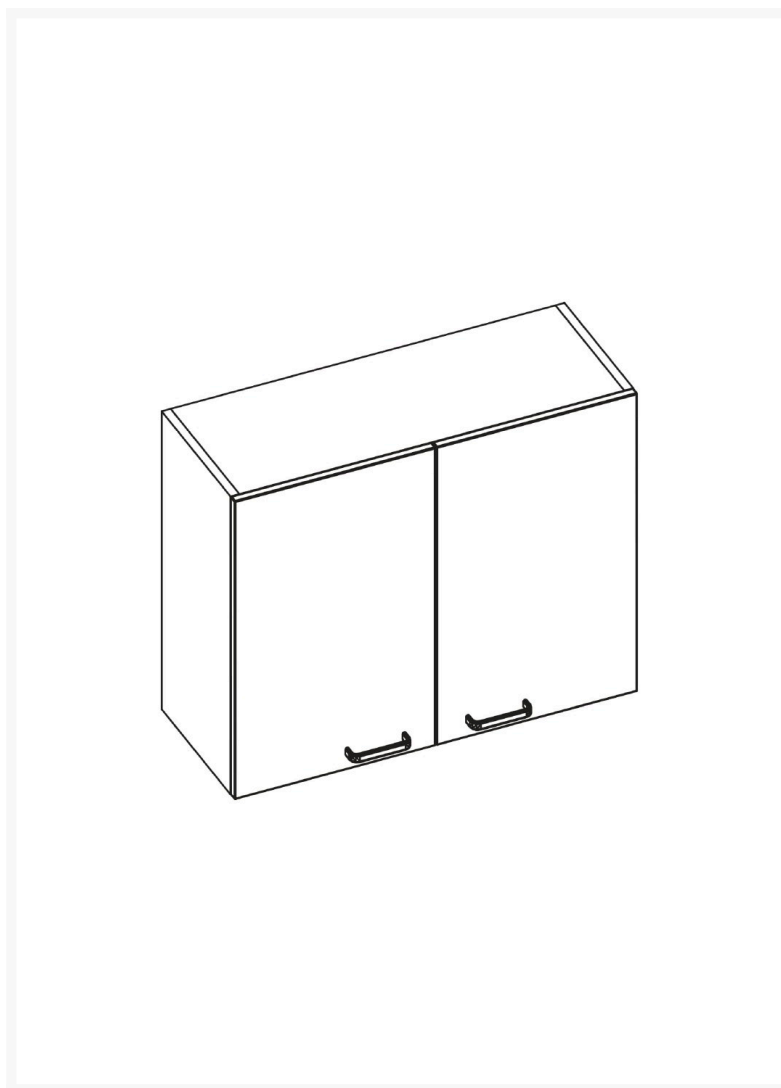
Umsatzsteuer-  
Identifikationsnummer  
:  
DE 143 450 657



## labtable Laboratory Hanging Cabinet 2 doors, 1 shelf WxHxD: 900 mm x 370 mm x 350 mm

**€243.80**  
**plus VAT &**  
**Shipping**

### Product Images



## Description

---

**labtable laboratory hanging cabinets** provide storage space for chemicals, laboratory materials and small equipment. For an optimal storage solution, we offer various designs of cabinets with glass and full doors, as well as open shelves.

- Made of melamine
- Doors equipped with dampers
- Made of laminated chipboard with a thickness of 18 mm
- Doors with ABS edge thickness of 2 mm

## Additional Information

---

No.	G-0061
Manufacturer (Brand)	labtable
EAN	4058072254797
Transport temperature	Room temperature
Color	light gray
Material	Melamine
Wide	900 mm
Height	370 mm
Depth	350 mm
Number of shelves/ grids	1
Number of doors	2
Page door suspension	left right
Type Shipping / Delivery Cost	Special shipping fee

